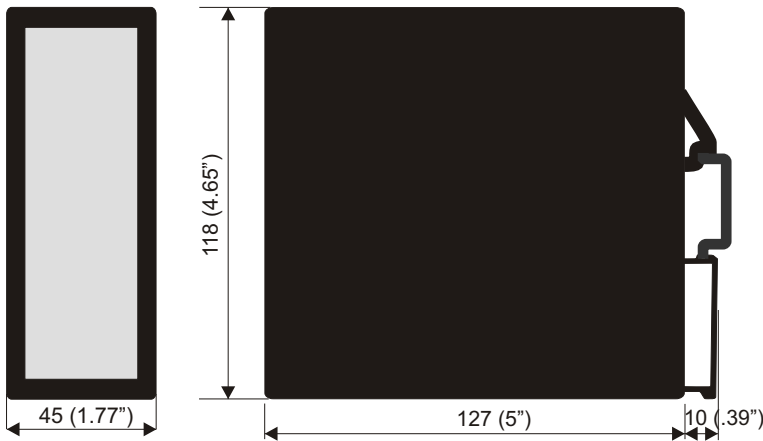


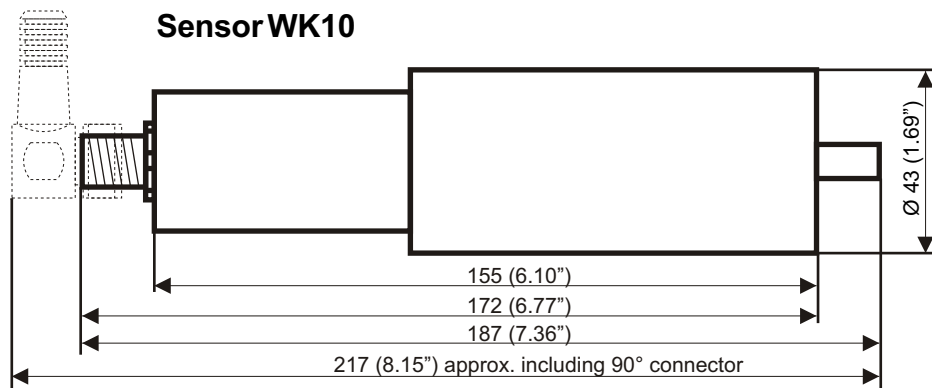
WK10 Technical Data

Controller WK10



Protection:	IP20
Interference susceptibility:	to EMV specifications
Mounting:	EN rail (DIN rail)
Supply voltage:	24VDC (22-26VDC)
Power draw:	typically 12W
Storage temperature:	0° - +70°C (0°-158°F)
Operating temperature:	0° - +50°C (32°-122°F)
Sensor plug:	8 terminals green
Power plug:	3 terminals green
Profibus socket:	9-pol SUB-D (RS485)

Sensor WK10

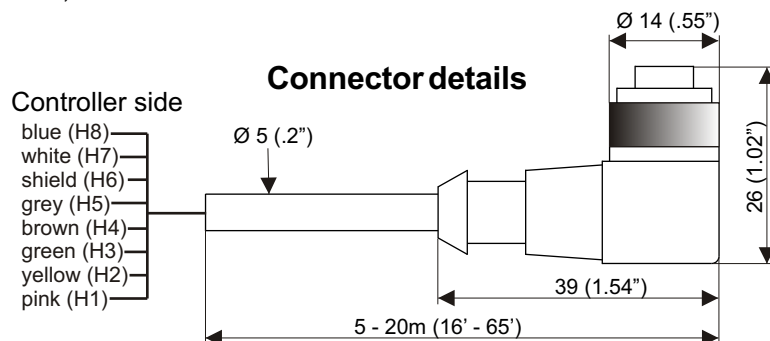


Sensor body:	aluminum, anodized
Protection:	IP68
Protection connector plug:	IP67
Interference susceptibility:	to EMV specifications
NOTE: connect machine ground with sensor housing up to 665mm	
Probe length:	up to 665mm
Scanning angle:	360° in both directions
Smallest tool diameter:	approx. 0.3mm (.012")
Temperature range:	0° - +70°C (32° - 158°F)
Maximum shaft loads:	radial 100N, axial 5N

Typical cycle times

Scanning angle 30°:	320ms
Scanning angle 90°:	500ms
Scanning angle 180°:	630ms
Scanning angle 270°:	750ms

NOTE:
For detailed information please request the WK10 manual.



All text, technical data, measurements and samples were prepared thoroughly. However Middex Electronic and CIRO Products Ltd. cannot be held liable for errors and omissions. Middex Electronic and CIRO Products Ltd. reserve the right to improve or change the design of hard and software and make changes to the technical documentation without further notice.