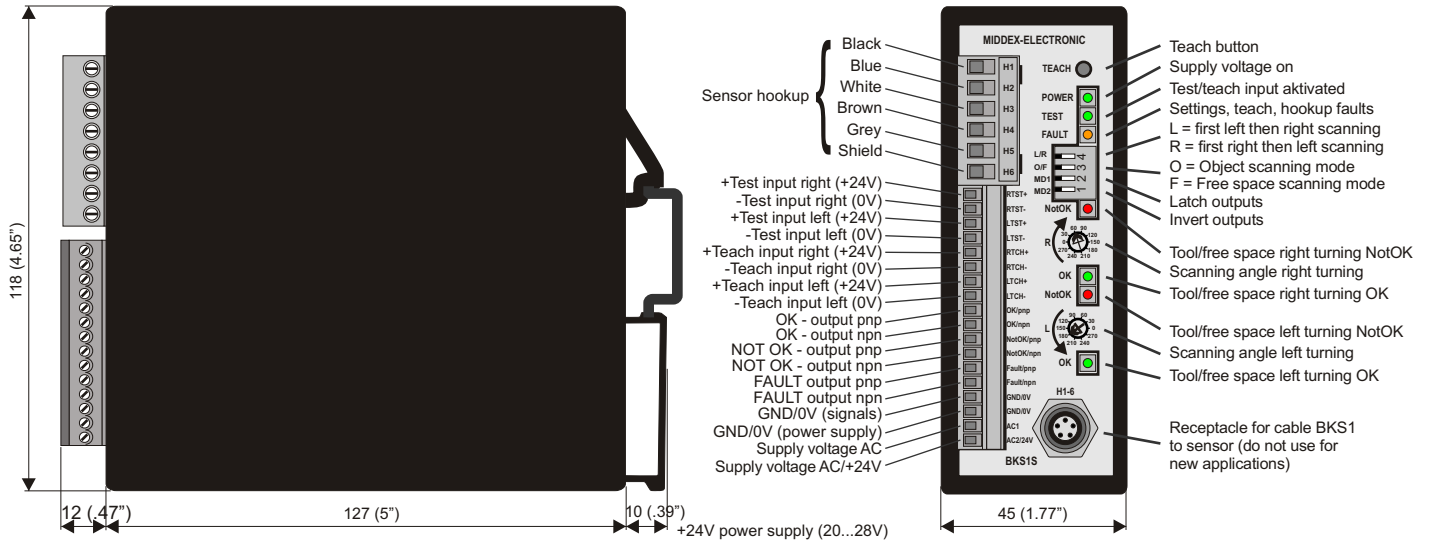


BKS1S Technical Data

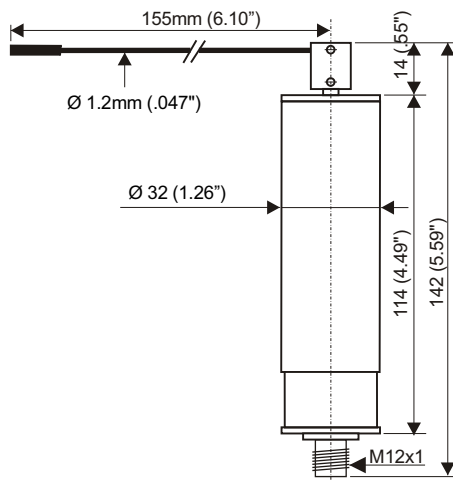
Controller BKS1S (item #9109)



- Protection: IP20
 Interference susceptibility: to EMV specs, CE certified
 Mounting: EN rail (DIN rail)
 Supply voltage: 20-35VDC or 15-25VAC/5W (no load outputs)
 Signal output: solid state, pnp/+24V, npn/0V, short protected
 Signal input: opto-decoupled
 Output current load: 100mA
 Temperature range: 0° to +50°C (32° to 122°F)
 Signal voltage: 8 to 30VDC
 Signal input resistance: approximately 10kΩ

Please note: BKS1S is fully compatible with the older BKS1 (see page 2)

Sensor BKS1 (item #9101)



Typical cycle times

Scanning angle 30°:	300ms
Scanning angle 90°:	400ms
Scanning angle 180°:	550ms

Sensor body:	Aluminium anodized
Protection:	IP67 (including connecting plug)
Interference susceptibility:	To EMV specs, CE certified
Probe length:	Standard 150mm
Scanning range:	Maximum 270° in both directions
Turning directions:	Select left or right-hand
Scanning check:	Potential free
Smallest scanned diameter:	Approximately 0.3mm (.012")
Temperature range:	0° F to +158° F

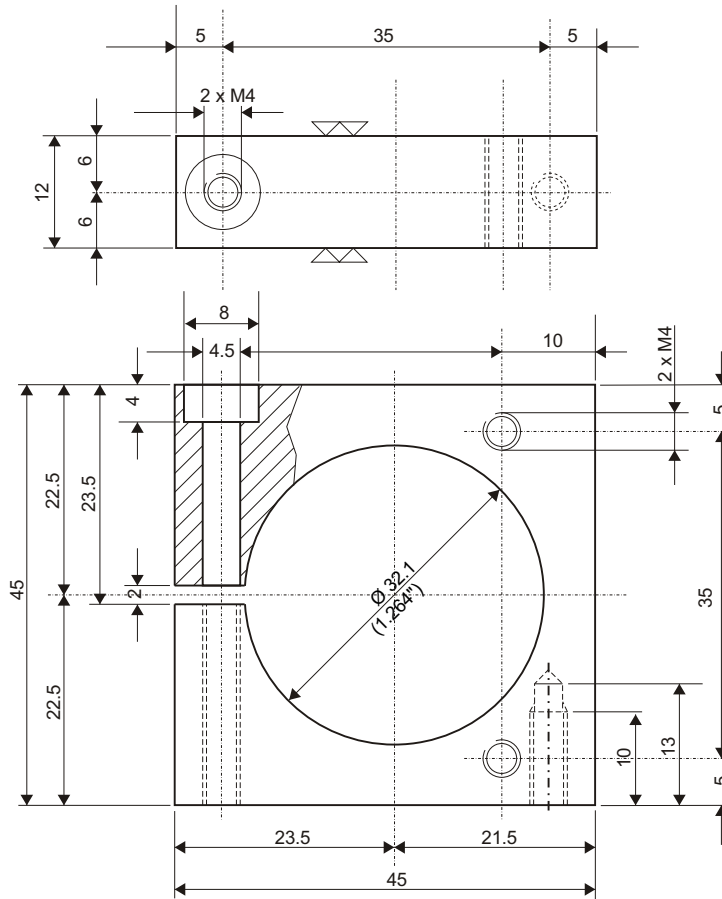
All text, technical data, measurements and samples were prepared thoroughly. However Middex Electronic and CIRO Products Ltd. cannot be held liable for errors and omissions. Middex Electronic and CIRO Products Ltd. reserve the right to improve or change the design of hard and software and make changes to the technical documentation without further notice.

BKS1 Technical Data



Caring Beyond Our Products

Mounting Bracket (item #9107)



Hookup of BKS1S controller replacing the older BKS1

Controller BKS1 Terminal #	Controller BKS1S Terminal #	Function
1	AC2/24V	Supply voltage AC or DC
2	AC1	Supply voltage AC or DC
3	GND/0V	Ground connection to control unit (SPS etc.)
	RTST-	
	LTST-	
	RTCH-	
	LTCH-	
4	RTST+	Test input right
	LTST+	Test input left
5	not used	
6	RTCH+	Teach input right
	LTCH+	Teach input left
10	OK/pnp	OK output
11	NotOK/pnp	NotOK output
12	Fault/pnp	Fault output