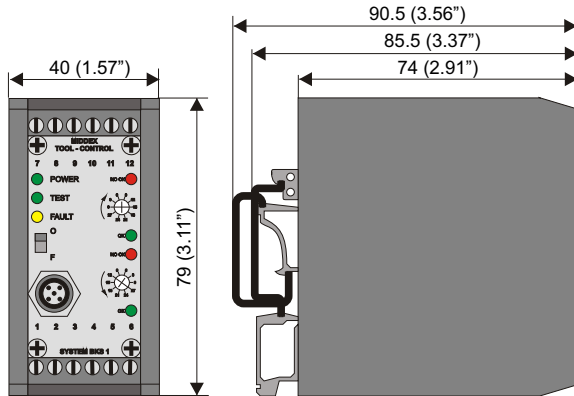


# BKS1 Technical Data

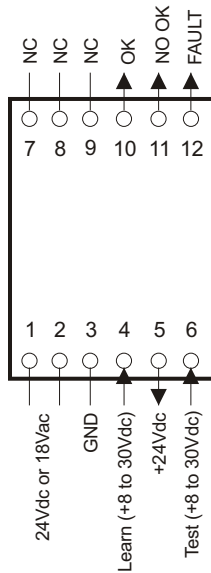


Caring Beyond Our Products

## Controller BKS1 (item #9100)



Protection:	IP20
Interference susceptibility:	To EMV specs, CE certified
Mounting:	DIN rail
Supply voltage:	20-35VDC or 15-25VAC/5W
Signal output:	Solid state +24V
Output current load:	100mA
Temperature range:	0° F to +122° F
Signal voltage:	8-30VDC
Input resistance:	10kW



Wiring details

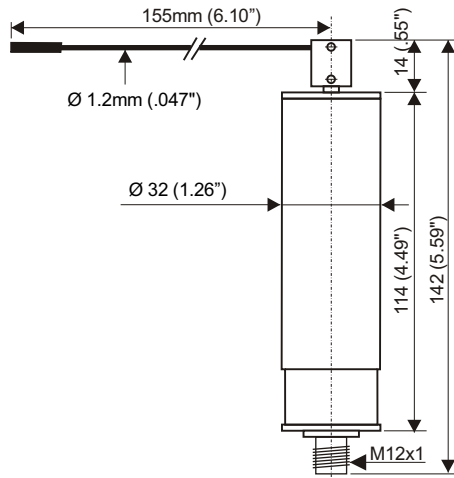
### Important to know:

The BKS1 system from Middex allows a PLC to take control of the duration of the output signals. As long as the TEST signal is active, the resulting outputs remain high. Once the TEST signal drops, the output signals drop as well. Outputs from several units may be combined to a single input at the PLC. However, only the NOT OK outputs should be combined, since a single unit detecting a broken tool will trigger a machine stop. Combining OK signals does not work as only one unit would be

### Typical cycle times

Scanning angle 30°:	300ms
Scanning angle 90°:	400ms
Scanning angle 180°:	550ms

## Sensor BKS1 (item #9101)



Sensor body:	Aluminium anodized
Protection:	IP67 (including connecting plug)
Interference susceptibility:	To EMV specs, CE certified
Probe length:	Standard 150mm
Scanning range:	Maximum 270° in both directions
Turning directions:	Select left or right-hand
Scanning check:	Potential free
Smallest scanned diameter:	Approximately 0.3mm (.012")
Temperature range:	0° F to +158° F

All text, technical data, measurements and samples were prepared thoroughly. However Middex Electronic and CIRO Products Ltd. cannot be held liable for errors and omissions. Middex Electronic and CIRO Products Ltd. reserve the right to improve or change the design of hard and software and make changes to the technical documentation without further notice.

# BKS1 Technical Data



Caring Beyond Our Products

## Mounting Bracket (item #9107)

