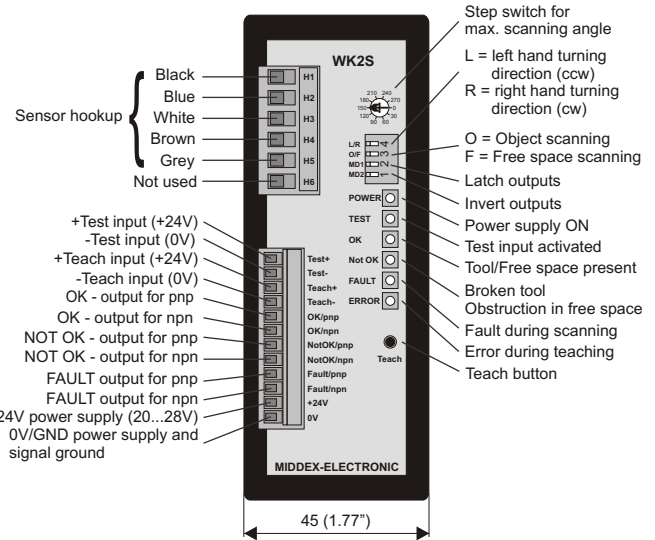
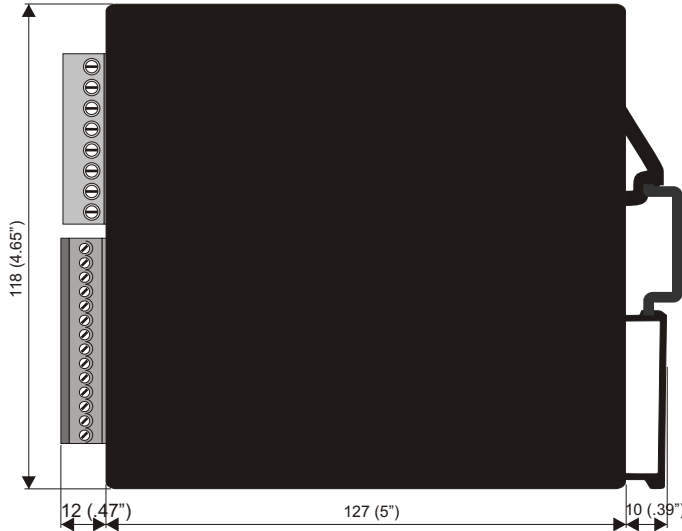


WK2S Technical Data



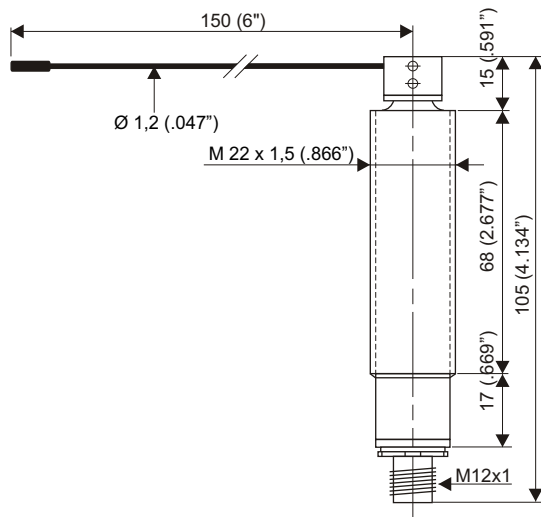
Caring Beyond Our Products

Controller WK2S(item #9431)



- Protection: IP20
- Interference susceptibility: to EMV specs, carries CE logo
- Mounting: EN rail (DIN rail)
- Supply voltage: 24VDC (20-28VDC)
- Power draw: typically 5W (no output loads)
- Outputs: solid state
pnp switching to +24V, recovery diode 10kΩ to 0V
nnp switching to 0V, recovery diode 10kΩ to 24V
- Output current load: 100mA maximum, short protected for 1 Minute
- Temperature range: 0° to +50°C (32° to 122°F)
- Signal voltage: 20 to 35VDC approximately
5mA opto-decoupled signal inputs
diode-protected against cross wiring
- Signal input resistance: approximately 4.4kΩ

Sensor WK2 (item #9401)



Typical cycle times

- Scanning angle 30°: 150ms
- Scanning angle 90°: 220ms
- Scanning angle 180°: 280ms

- Sensor body: Special steel chromed
- Protection: IP68
- Protection connector plug: IP67
- Interference susceptibility: to EMV specs, carries CE logo
- Probe length: standard 150mm (6")
- Scanning angle: maximum 270° in both directions
- Scanning: potential free
- Smallest tool diameter: approximately 0.3mm
- Temperature range: 0° to +70°C (32° to 158°F)
- Maximum shaft loads: radial 100N, axial 5N

All text, technical data, measurements and samples were prepared thoroughly. However Middex Electronic and CIRO Products Ltd. cannot be held liable for errors and omissions. Middex Electronic and CIRO Products Ltd. reserve the right to improve or change the design of hard and software and make changes to the technical documentation without further notice.